

87984-3 ✓ ACTIVE

AMPMODU | AMPMODU MOD 1

TE Internal #: 87984-3

AMPMODU MOD 1, PCB Mount Receptacle, Vertical, Board-to-Board, 3 Position, 3.96mm [.156in] Centerline, Gold, Printed Circuit Board

[View on TE.com >](#)



Connectors > PCB Connectors > Board-to-Board Connectors > Board-to-Board Headers & Receptacles



PCB Connector Assembly Type: **PCB Mount Receptacle**

PCB Mount Orientation: **Vertical**

Connector System: **Board-to-Board**

Number of Positions: **3**

Centerline (Pitch): **3.96 mm [.156 in]**

Features

Product Type Features

Applied Pressure	Standard
PCB Connector Assembly Type	PCB Mount Receptacle
Connector System	Board-to-Board
Connector & Contact Terminates To	Printed Circuit Board

Configuration Features

Number of Rows	1
Stackable	No
PCB Mount Orientation	Vertical
Number of Positions	3
Board-to-Board Configuration	Parallel

Electrical Characteristics

Insulation Resistance	5000 MΩ
-----------------------	---------

Contact Features

Contact Layout	Inline
PCB Contact Termination Area Plating Material Thickness	1.27 μm[50 μin]
Mating Tab Width	1.58 mm[.062 in]
Mating Tab Thickness	.79 mm[.031 in]
PCB Contact Termination Area Plating Material	Gold Flash



Contact Base Material	Phosphor Bronze
Contact Mating Area Plating Material	Gold
Contact Mating Area Plating Material Thickness	.762 μ m[30 μ in]
Contact Type	Socket
Contact Current Rating (Max)	5 A

Termination Features

Rectangular Termination Post & Tail Thickness	.25 mm[.01 in]
Rectangular Termination Post & Tail Width	1.02 mm[.04 in]
Termination Post & Tail Length	2.85 mm[.112 in]
Termination Method to Printed Circuit Board	Through Hole - Solder

Mechanical Attachment

Mating Alignment	Without
PCB Mount Retention	Without
PCB Mount Alignment	Without
Connector Mounting Type	Board Mount

Housing Features

Mating Entry Location	Bottom
Centerline (Pitch)	3.96 mm[.156 in]
Housing Color	Black
Housing Material	Vydyne M-344

Dimensions

Connector Height	2.845 mm[.112 in]
PCB Thickness (Recommended)	1.4 – 1.78 mm[.055 – .07 in]

Usage Conditions

Operating Temperature Range	-65 – 105 °C[-85 – 221 °F]
-----------------------------	----------------------------

Operation/Application

Assembly Process Feature	None
Circuit Application	Signal

Industry Standards

Approved Standards	CSA LR16455, UL E28476
UL Flammability Rating	UL 94V-0

Packaging Features



Packaging Quantity	41
Packaging Method	Tube

Product Compliance

[For compliance documentation, visit the product page on TE.com>](#)

EU RoHS Directive 2011/65/EU	Compliant
EU ELV Directive 2000/53/EC	Compliant
China RoHS 2 Directive MIIT Order No 32, 2016	No Restricted Materials Above Threshold
EU REACH Regulation (EC) No. 1907/2006	Current ECHA Candidate List: JUN 2020 (209) Candidate List Declared Against: JAN 2020 (205) 1,6,7,8,9,14,15,16,17,17,18,18-dodecachloropentacyclo [12.2.1.16,9.02,13.05,10]octadeca-7,15-diene (Dechlorane Plus) (17% in Component Part) Article Safe Usage Statements: Wash thoroughly after handling. Do not handle until all safety precautions have been read and understood. Recycle if possible and dispose of the article by following all applicable governmental regulations relevant to your geographic location.
Halogen Content	Not Low Halogen - contains Br or Cl > 900 ppm.
Solder Process Capability	Wave solder capable to 240°C


Product Compliance Disclaimer

This information is provided based on reasonable inquiry of our suppliers and represents our current actual knowledge based on the information they provided. This information is subject to change. The part numbers that TE has identified as EU RoHS compliant have a maximum concentration of 0.1% by weight in homogenous materials for lead, hexavalent chromium, mercury, PBB, PBDE, DBP, BBP, DEHP, DIBP, and 0.01% for cadmium, or qualify for an exemption to these limits as defined in the Annexes of Directive 2011/65/EU (RoHS2). Finished electrical and electronic equipment products will be CE marked as required by Directive 2011/65/EU. Components may not be CE marked. Additionally, the part numbers that TE has identified as EU ELV compliant have a maximum concentration of 0.1% by weight in homogenous materials for lead, hexavalent chromium, and mercury, and 0.01% for cadmium, or qualify for an exemption to these limits as defined in the Annexes of Directive 2000/53/EC (ELV). Regarding the REACH Regulation, the information TE provides on SVHC in articles for this part number is based on the latest European Chemicals Agency (ECHA) 'Guidance on requirements for substances in articles' posted at this URL: <https://echa.europa.eu/guidance-documents/guidance-on-reach>

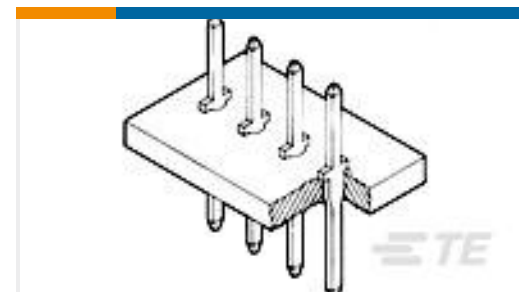
Compatible Parts



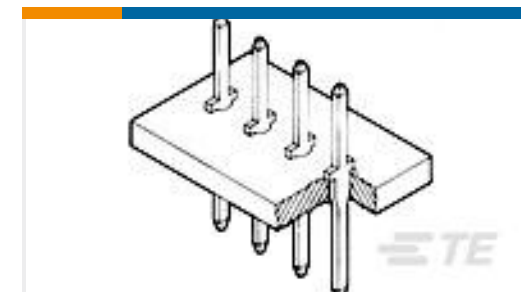

TE Model / Part # 87258-3
03 MOD1 HDR SRRA .156CL



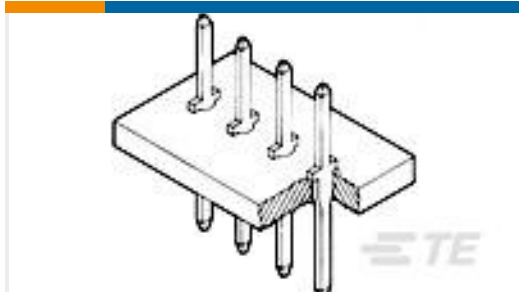
TE Model / Part # 85829-3
03 MOD1 HDR SRST .156CL



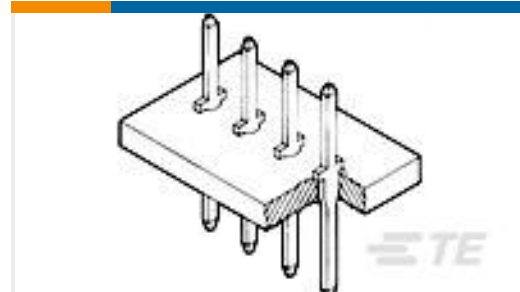
TE Model / Part # 1-86147-2
MOD I POST PLTD 30 AU



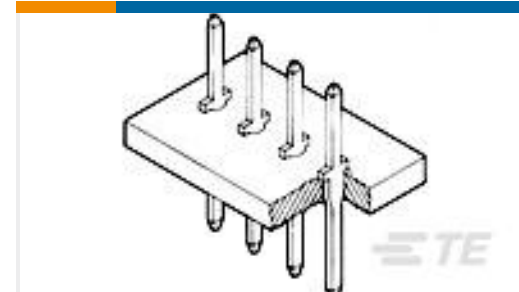
TE Model / Part # 1-86147-5
MOD I POST PLTD 30 AU



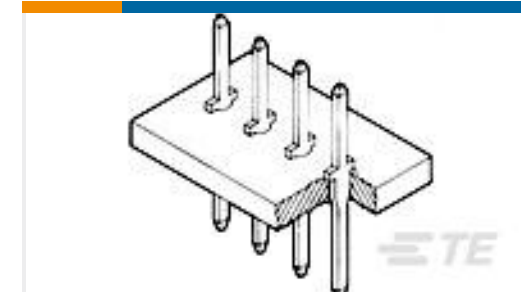
TE Model / Part # 1-86147-8
MOD I POST PLTD 30 AU



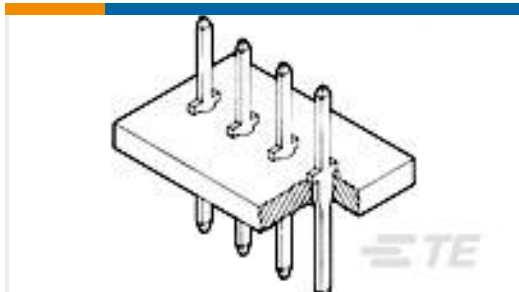
TE Model / Part # 1-86182-2
MOD I POST LP



TE Model / Part # 1-86182-5
MOD I POST LP




TE Model / Part # 1-86182-8
MOD I POST LP




TE Model / Part # 4-86147-2
MOD I POST PLTD 30 AU



TE Model / Part # 827873-3
3P MOD1 UNSHRD HDR, P 5.08, ST, 0.8 Au



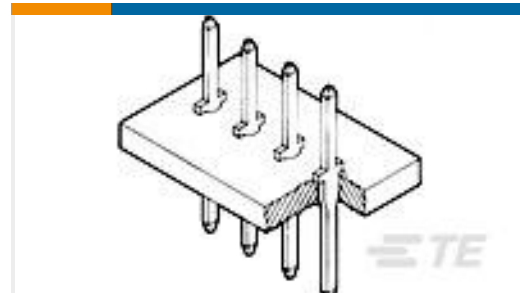
TE Model / Part # 85839-3
03 MOD1 HDR SRST .156CL



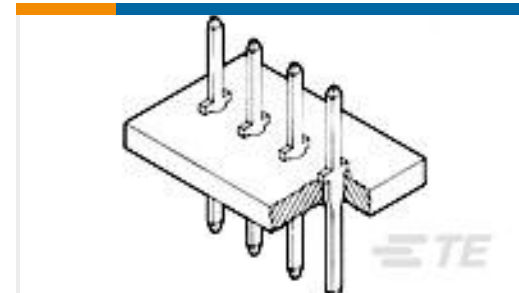
TE Model / Part # 85923-3
03 MOD1 HDR SRST .156CL



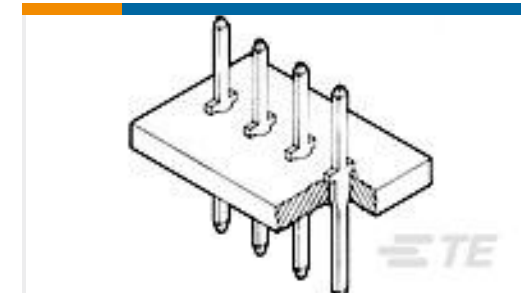
TE Model / Part # 85923-9
09 MOD1 HDR SRST .156CL



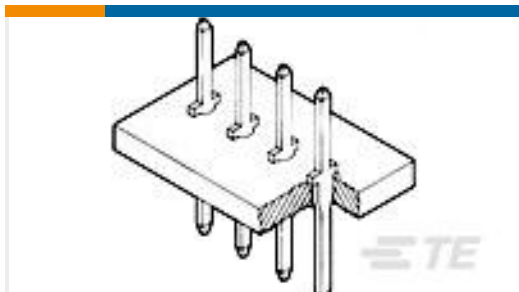
TE Model / Part # 86147-7
MOD I POST PLTD 30 AU




TE Model / Part # 86147-8
MOD I POST PLTD 30 AU



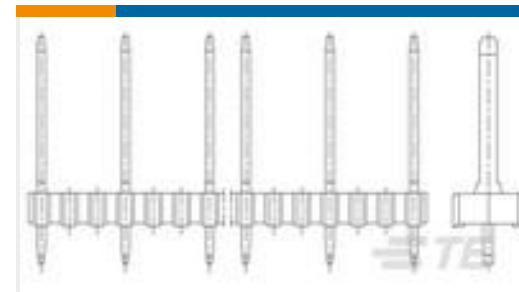
TE Model / Part # 86182-7
MOD I POST LP



TE Model / Part # 86182-8
MOD I POST LP



TE Model / Part # 87633-3
03 MOD1 HDR SRST .156CL

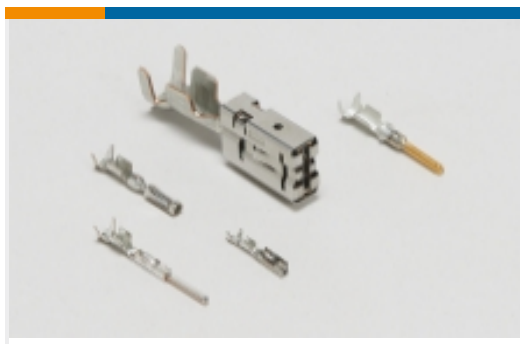


TE Model / Part # 1-827235-1
11P MOD1 STIFTLEIST



TE Model / Part # 2-826539-3
23P MOD 1 UNSHROUDED HEADER, ST, 0.8 Au

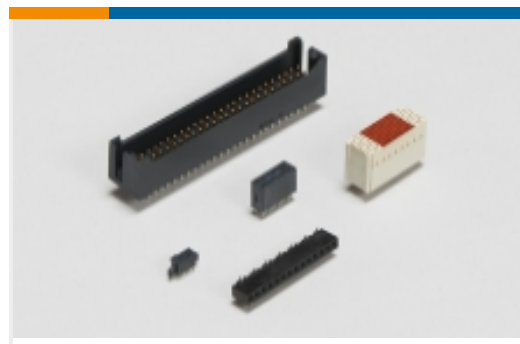
Also in the Series | **AMPMODU MOD 1**



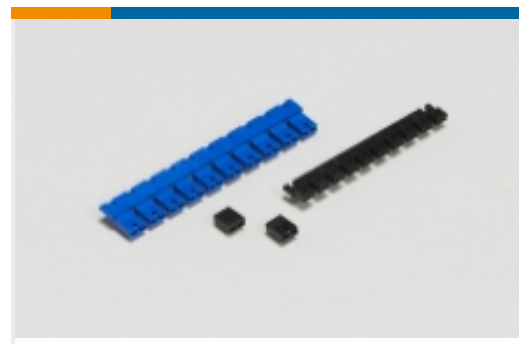
Automotive Terminals(6)



Board-to-Board Connector Contacts (73)



Board-to-Board Headers & Receptacles(204)



Board-to-Board Jumpers & Shunts(5)



PCB Connector Keying(2)



Wire-to-Board Connector Assemblies & Housings(34)

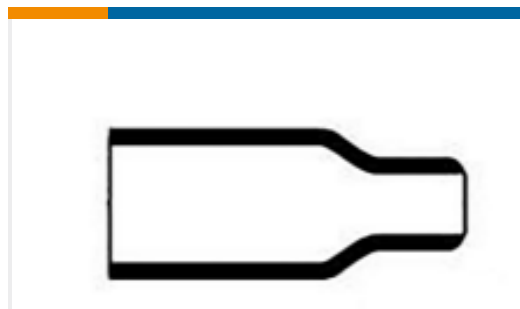


Wire-to-Board Connector Contacts(2)

Customers Also Bought



TE Model / Part #2-87984-0
20 MODI BDMNT RCPT SR .156CL



TE Model / Part #813970-000
202A021-3-0



TE Model / Part #87984-5
05 MODI BDMNT RCPT SR .156CL



TE Model / Part #87984-6
06 MODI BDMNT RCPT SR .156CL



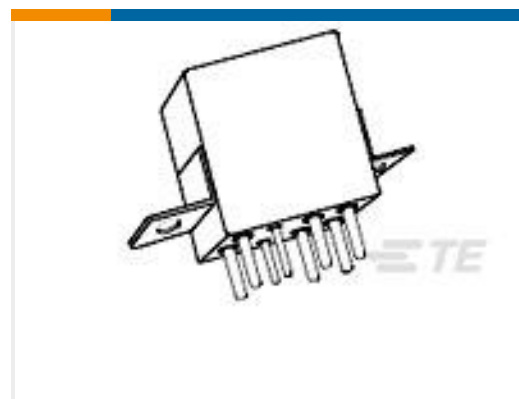
TE Model / Part #
YACT20MA98PCV00100
SQUARE FLANGE RECEPTACLE



TE Model / Part #1883867-1
A600,3, PLUG ASSY 150/60/100/



TE Model / Part #
YACT20MA98AAV00100
SQUARE FLANGE RECEPTACLE



TE Model / Part #2-1617749-3
FCA-210-1025M=M83536/10-025M



TE Model / Part #ZPF000000000104460
FDBA 54-14-12 SN-K

Documents



Product Drawings

[03 MOD1 BDMNT RCPT SR .156CL](#)

English

Datasheets & Catalog Pages

[AMPMODU_INTERCONNECTION_SYSTEM_SECTION_6_7AND8](#)

English

Product Specifications

[Product Specification](#)

English